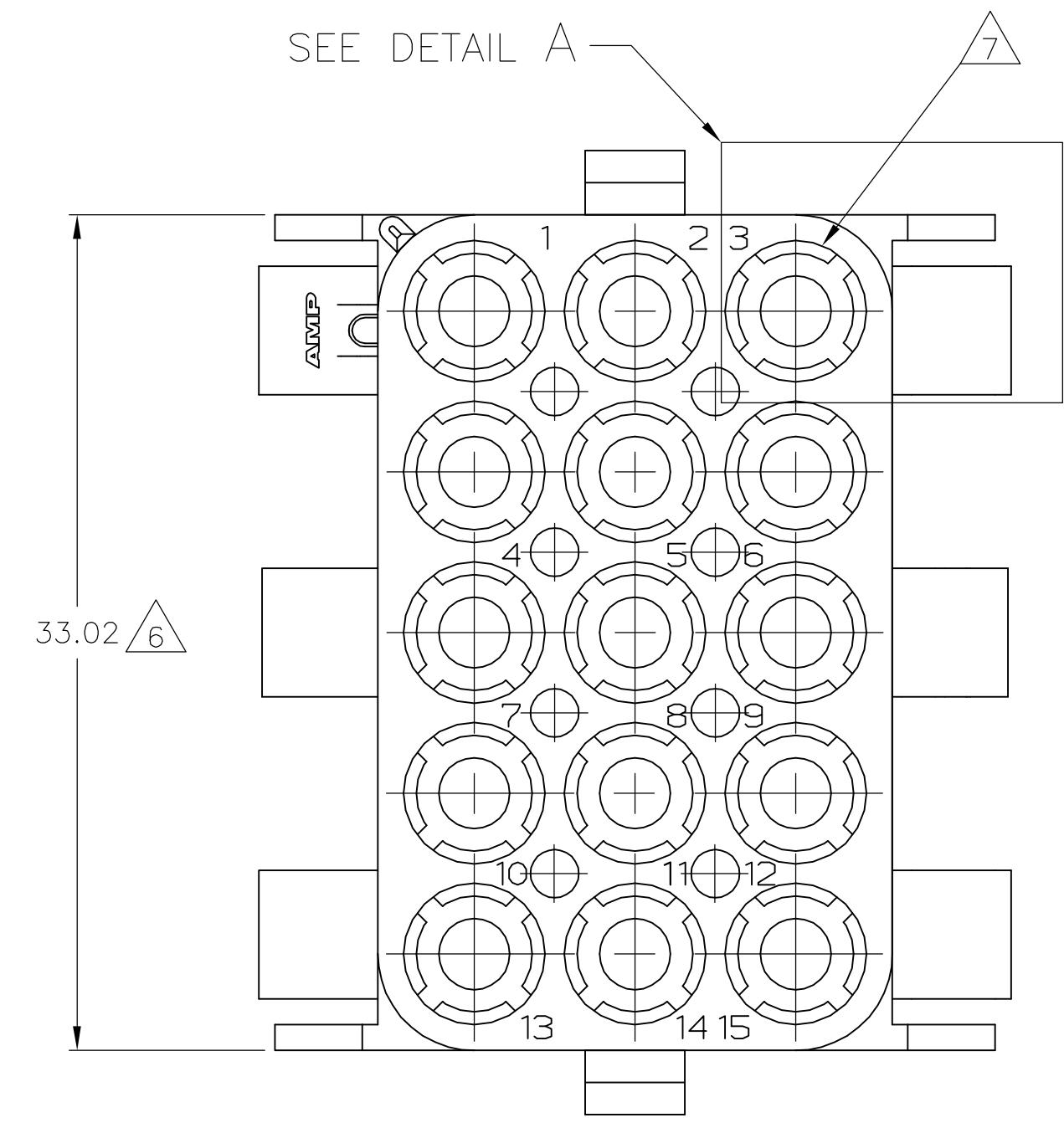
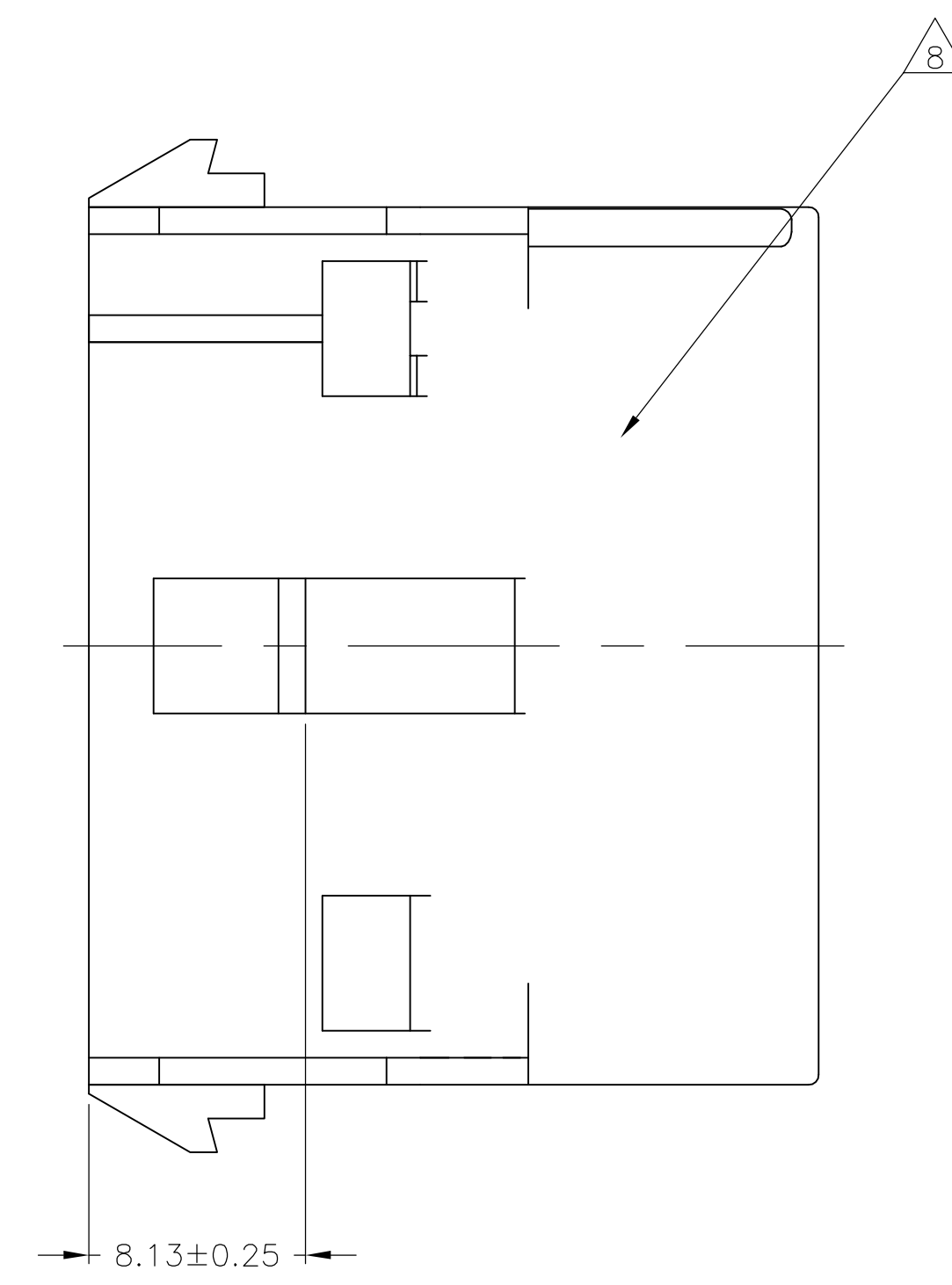
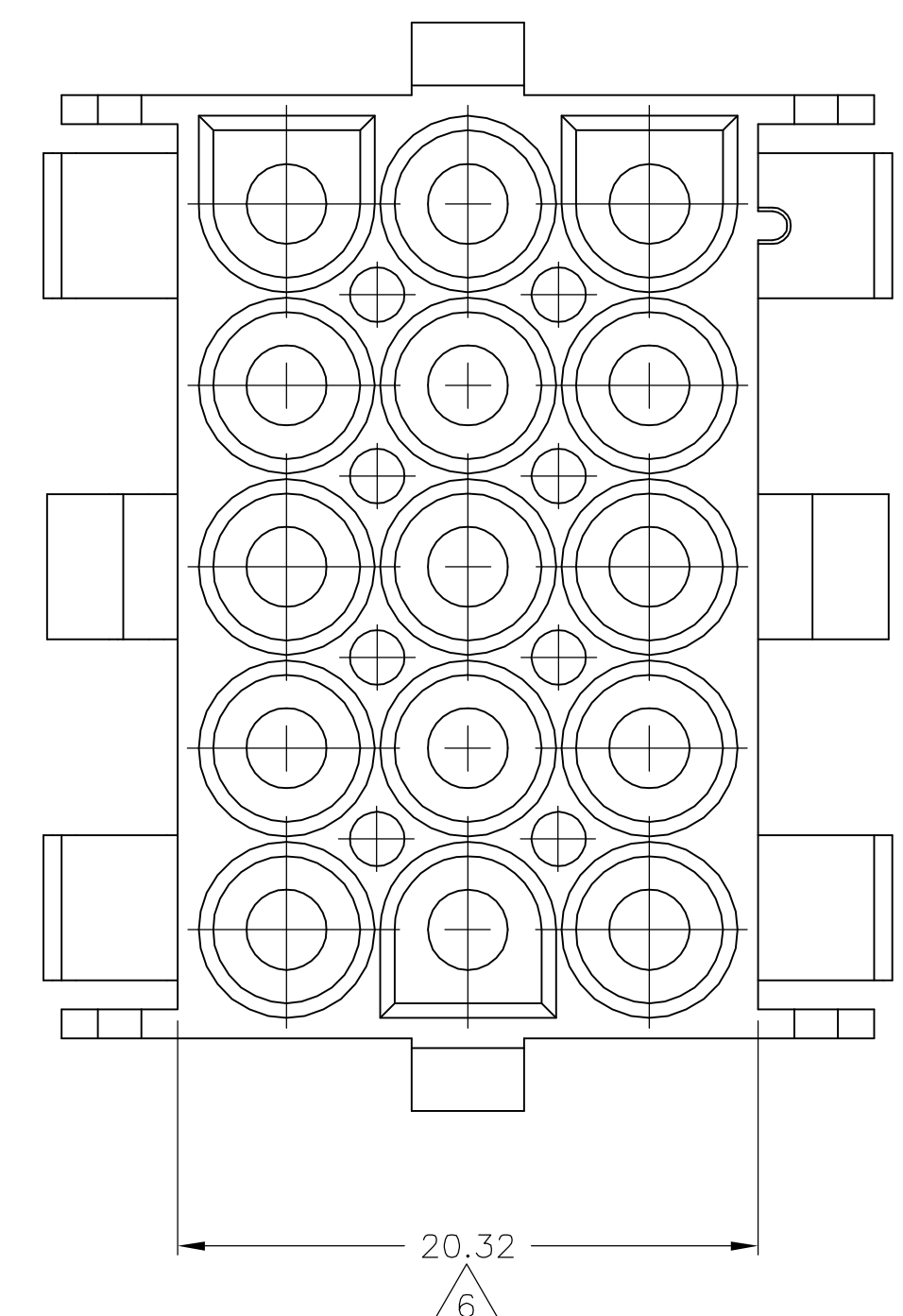
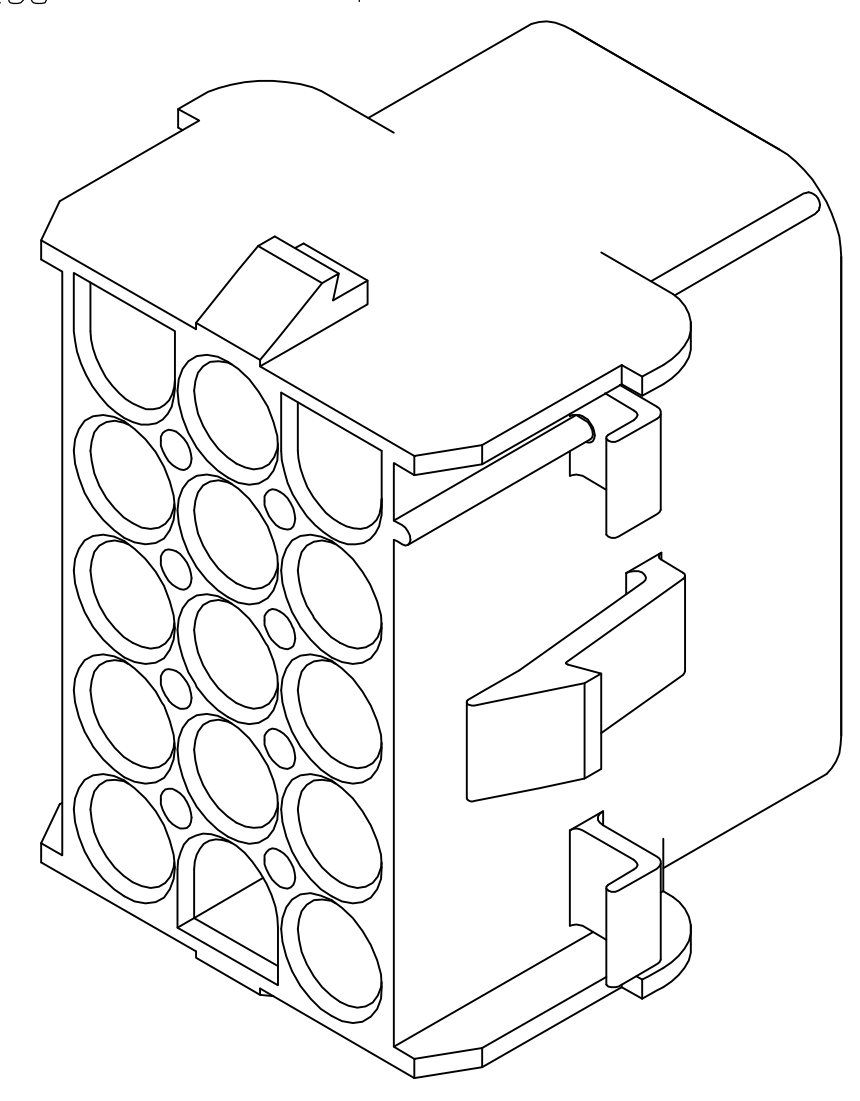
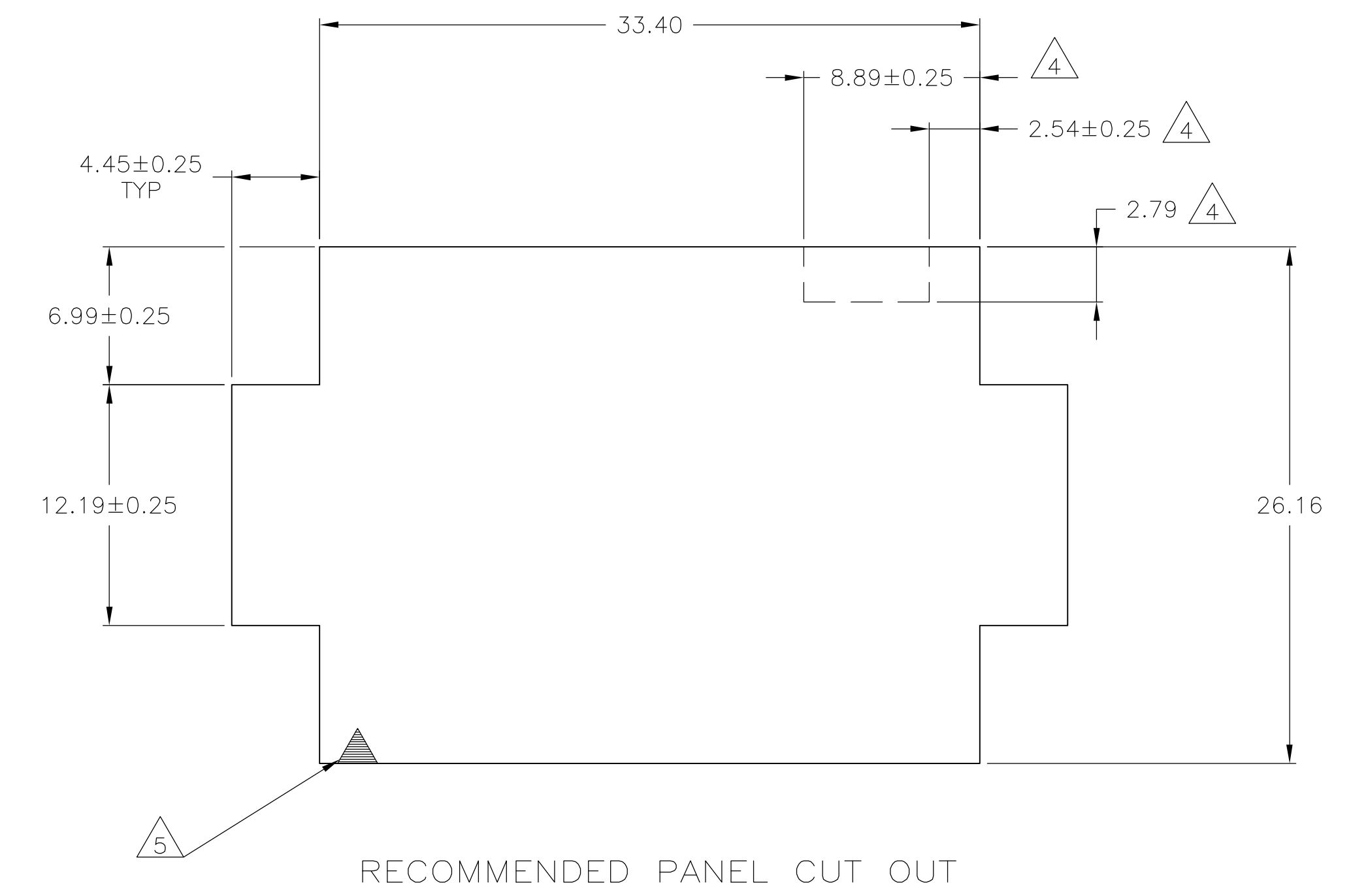
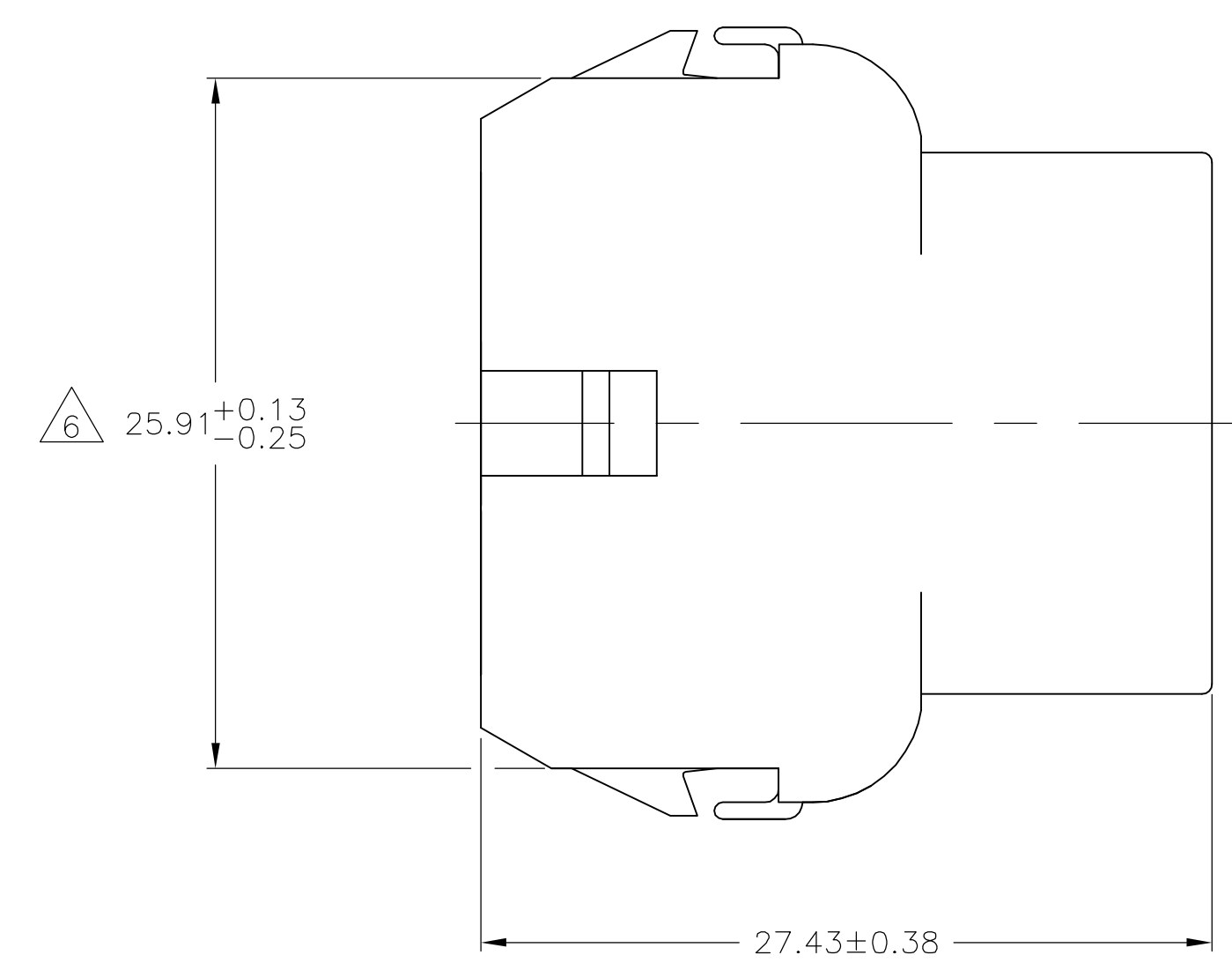
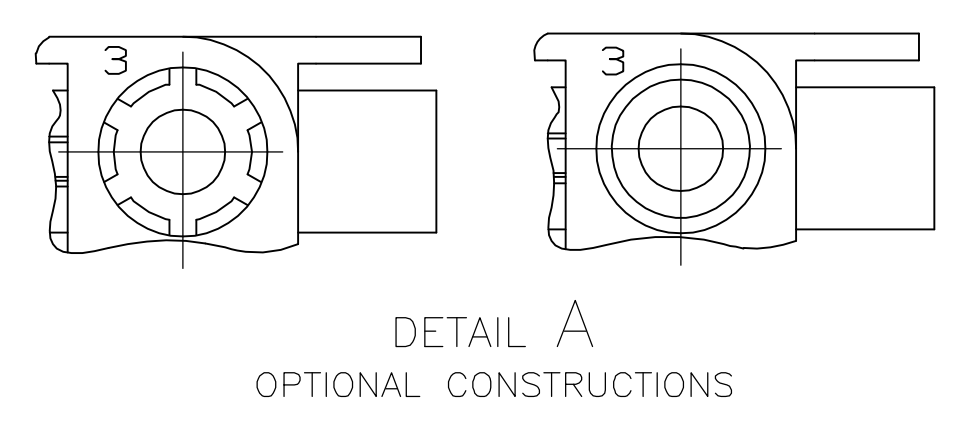


LOC		DIST		REVISIONS			
P	LTR	DESCRIPTION	DATE	DWN	APVD		
AJ		ECO-06-013891	04SEP06	BSV	GSR		



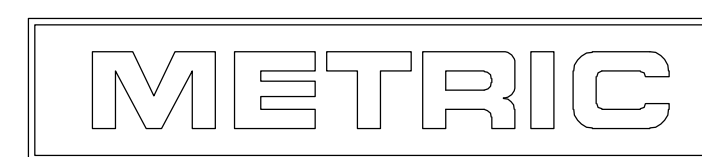
1. MATES WITH APPROPRIATE UNIVERSAL MATE-N-LOK™ PLUG.
 2. RECOMMENDED PANEL THICKNESS 0.76 - 2.29.
 3. PANEL MUST BE PUNCHED SO THAT THE HOUSING ENTERS THE PANEL IN THE SAME DIRECTION AS THE PUNCH.
- △4 OPTIONAL FOR KEYING HOUSING IN PANEL.
 - △5 CIRCUIT NUMBER 1 LOCATION.
 - △6 DIMENSION INDICATED IS AS MOLDED. ADDITIONAL GROWTH DUE TO SUBSEQUENT MOISTURE ABSORPTION MAY OCCUR.
 - △7 FOUR RIBS EQUALLY SPACED, NO SPECIFIC ORIENTATION. NO RIBS OR SIX RIBS EQUALLY SPACED, NO SPECIFIC ORIENTATION, OPTIONAL.
 - △8 UNDERWRITERS RECOGNIZED COMPONENT LOGO AND CSA CERTIFICATION LOGO TO BE LOCATED ONCE EACH ON SIDE OF HOUSING.



6.99	.275	33.40	1.315
4.45	.175	33.02	1.300
2.79	.110	27.43	1.080
2.54	.100	26.16	1.030
2.29	.090	25.91	1.020
0.76	.030	20.32	.800
0.38	.015	12.19	.480
0.25	.010	8.89	.350
0.13	.005	8.13	.320
MM	IN	MM	IN

CONVERSION TABLE

3-DIMENSIONAL MODEL NTS

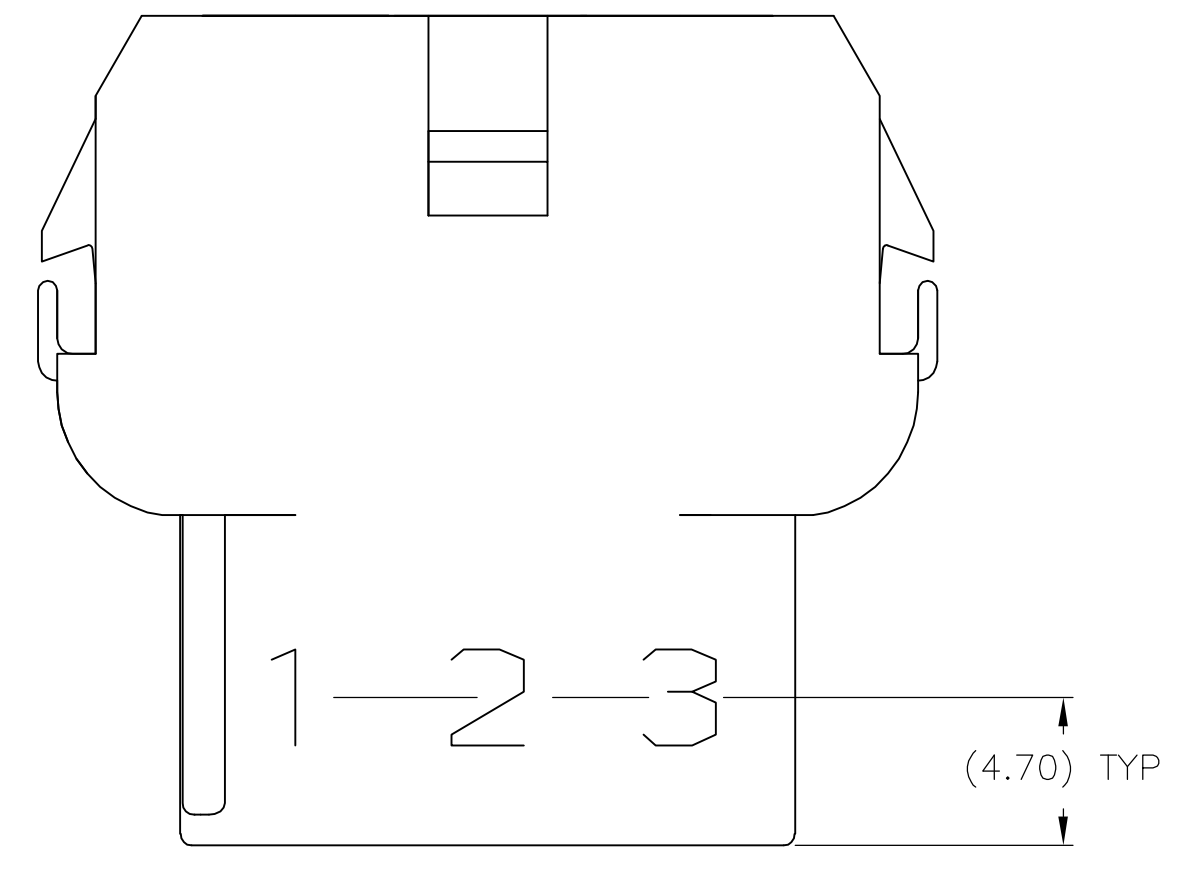


BLACK	1-480711-9
GRAY	1-480711-8
BLUE	1-480711-6
GREEN	1-480711-5
YELLOW	1-480711-4
ORANGE	1-480711-3
RED	1-480711-2
BROWN	1-480711-1
NATURAL	1-480711-0
COLOR	PART NO

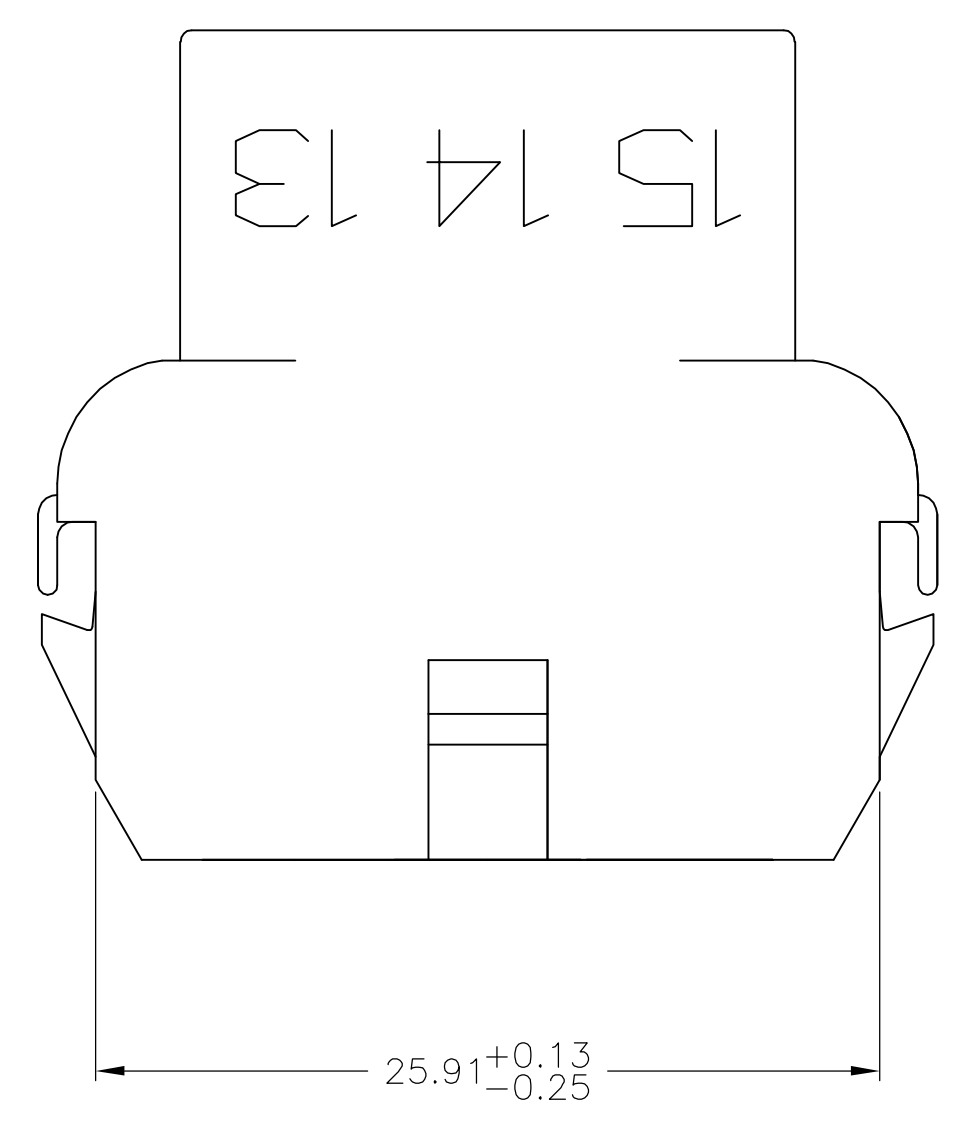
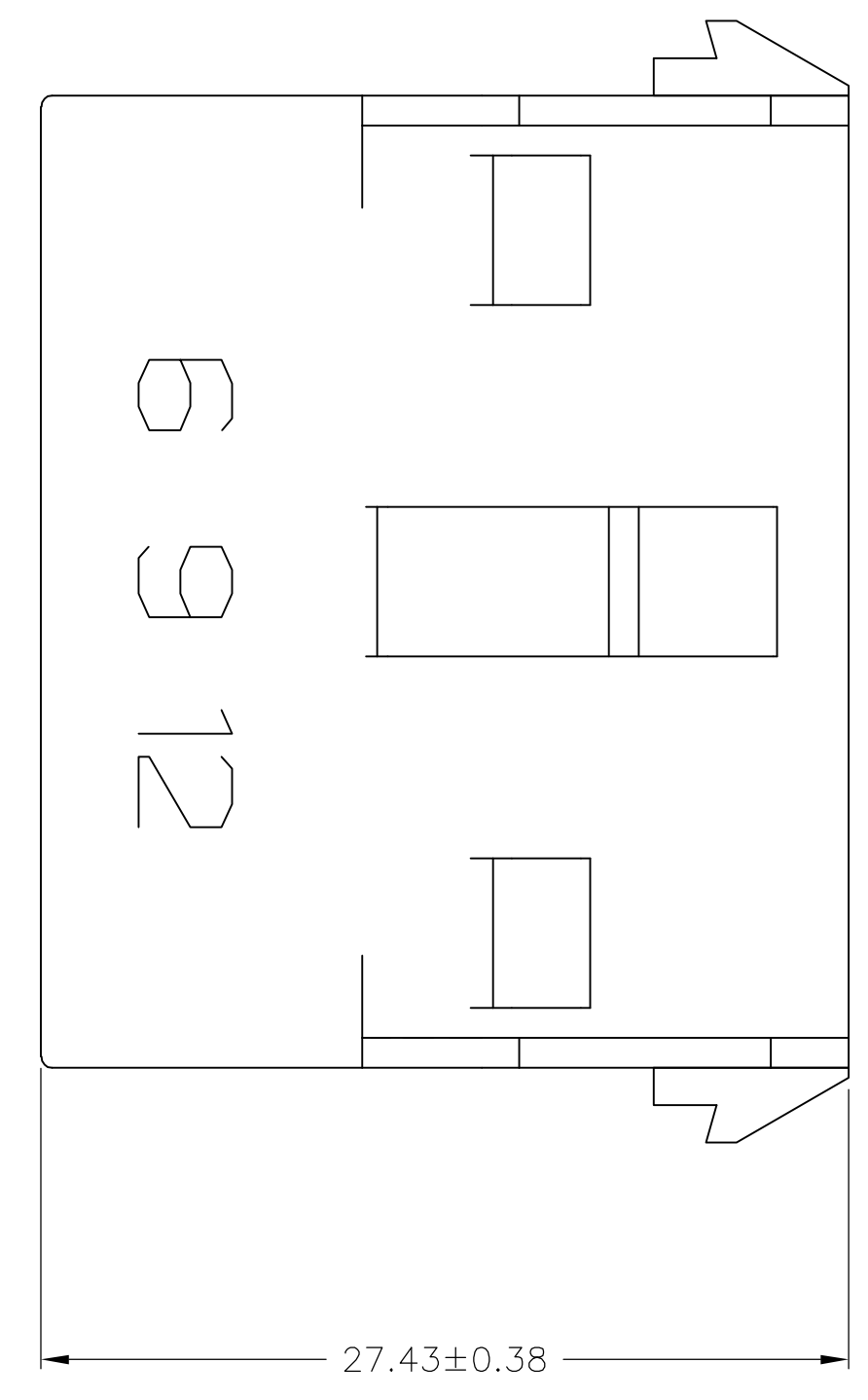
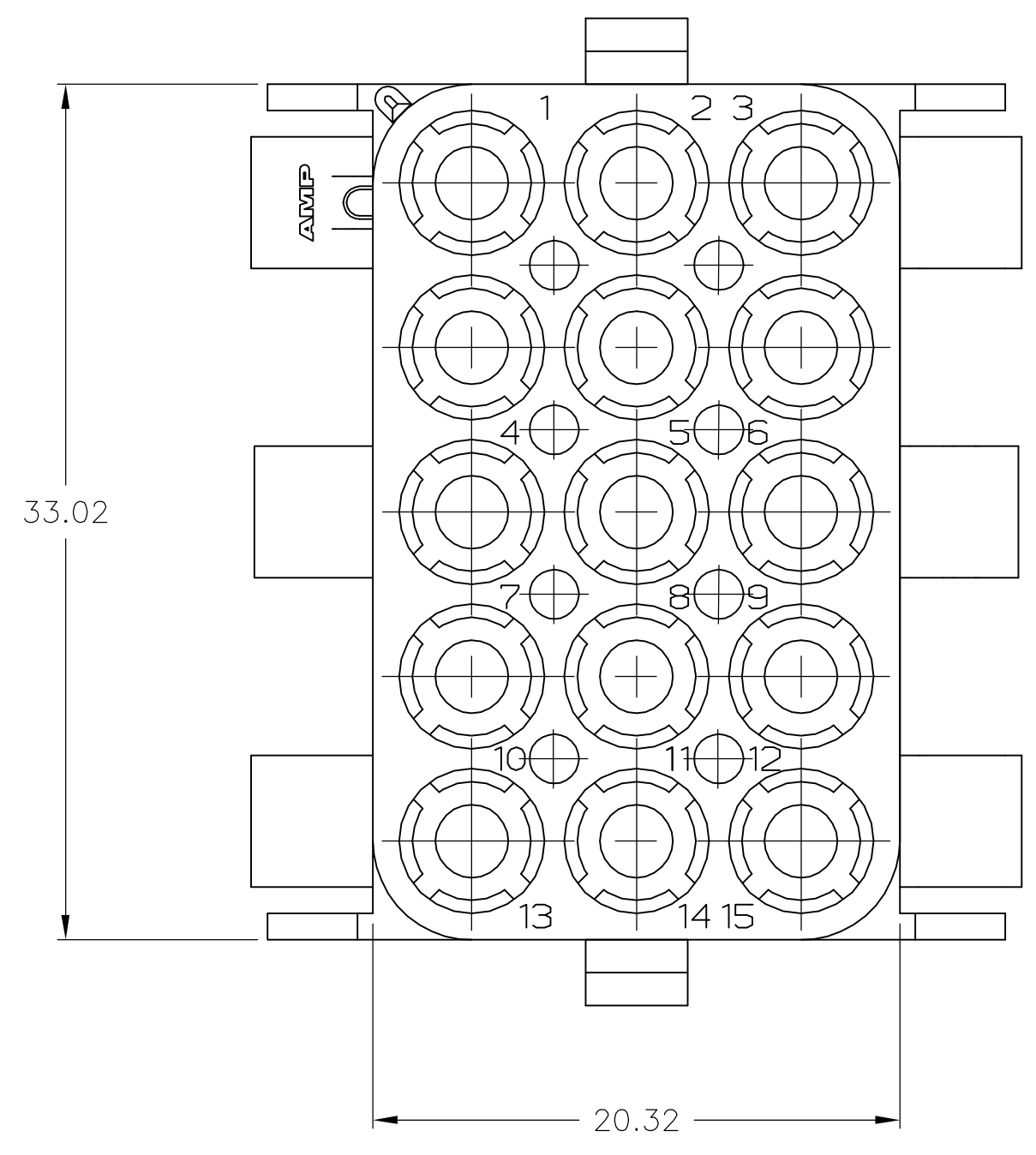
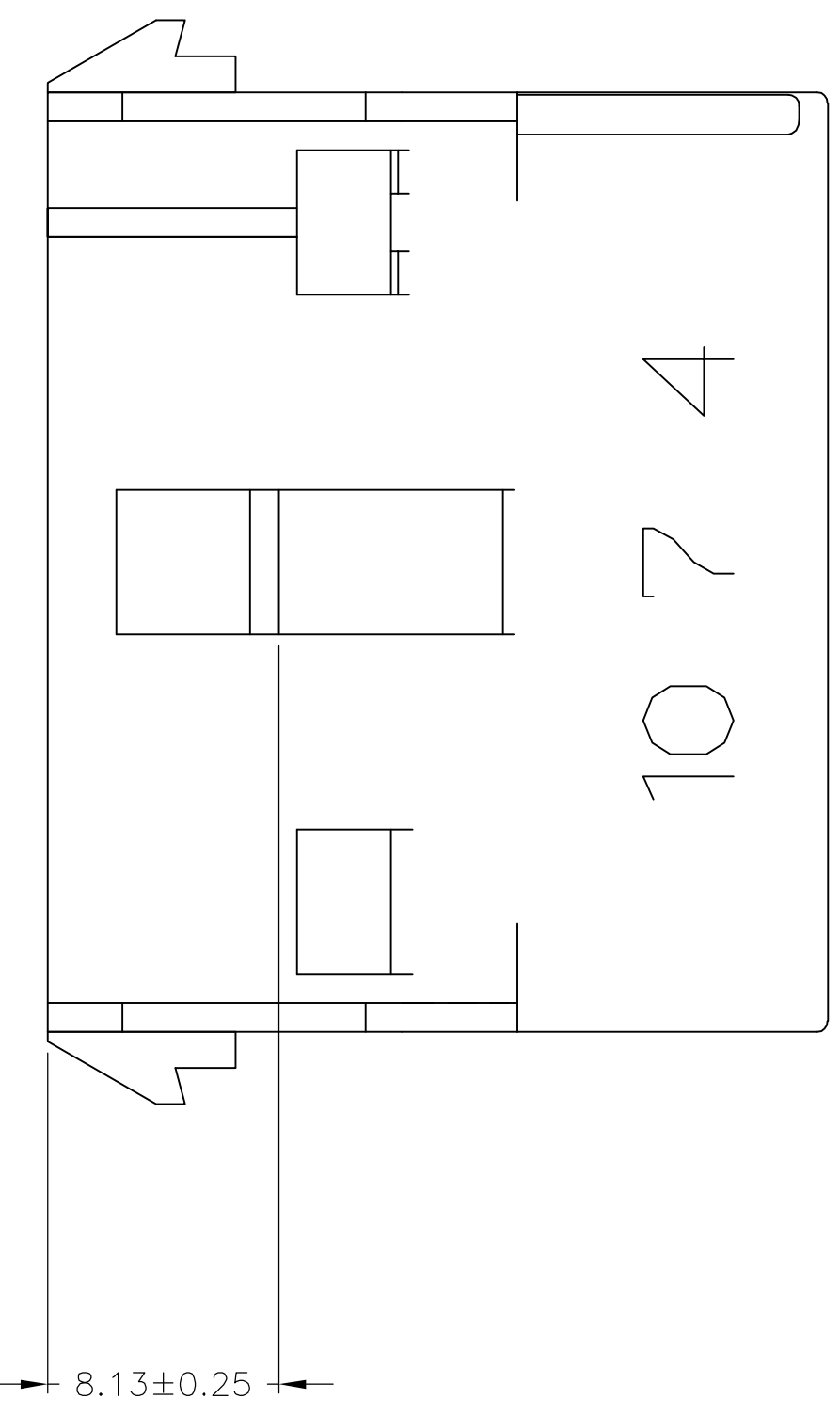
THIS DRAWING IS A CONTROLLED DOCUMENT.

DIMENSIONS:	TOLERANCES UNLESS OTHERWISE SPECIFIED:	DWN	K. WHITAKER	29JUL2004		Tyco Electronics Corporation Harrisburg, PA 17105-3608
mm	0 PLC ± - 1 PLC ± - 2 PLC ± ± 0.13 3 PLC ± ± - 4 PLC ± ± - ANGLES ± ± 0.30°	CHK	S. RIDGILL	29JUL2004		
		APVD	S. RIDGILL	29JUL2004	NAME	CAP, 15 CIRCUIT, UNIVERSAL MATE-N-LOK™
MATERIAL	NYLON. UL94V-2	FINISH	-	APPLICATION SPEC	SIZE	A1
CUSTOMER DRAWING		WEIGHT	-	RESTRICTED TO	SCALE	4:1
				SHEET		1 OF 2
				REV		AJ

LOC		DIST		REVISIONS			
CM	00	REV	DATE	DESCRIPTION	DATE	BY	APPV
-	-	-	-	SEE SHEET 1	-	-	-

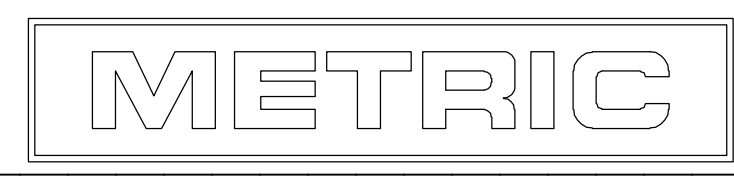


1. STAMP NUMBERS 3.18 HIGH AT WIRE END OF HOUSING (12 POINT DAVID TYPE); CLARIFICATION MARKS UNDER THE 6 & 9.
2. CHARACTERS TO BE STAMPED ON HOUSING IN A MANNER AS TO BE READ FROM WIRE END ONLY.
3. VIOLET, BLACK, BROWN, AND BLUE COLORED BLOCKS TO BE STAMPED WITH WHITE CHARACTERS. ALL OTHER COLORED BLOCKS TO BE STAMPED WITH BLACK CHARACTERS.



MM	IN	MM	IN
5.08	.200	-	-
4.70	.185	33.02	1.300
3.18	.125	27.43	1.080
0.38	.015	25.91	1.020
0.25	.010	20.32	.800
0.13	.005	8.13	.320

CONVERSION TABLE



THIS DRAWING IS A CONTROLLED DOCUMENT.

DIMENSIONS:	TOLERANCES UNLESS OTHERWISE SPECIFIED:	DWG	K. WHITAKER	29JUL2004		Tyco Electronics Corporation	
mm	0 PLC ± - 1 PLC ± - 2 PLC ± ± 0.13 3 PLC ± ± - 4 PLC ± ± - ANGLES ± ± 0.30°	CHK	S. RIDGILL	29JUL2004		Harrisburg, PA 17105-3608	
		APVD	S. RIDGILL	29JUL2004	NAME	CAP, 15 CIRCUIT, UNIVERSAL MATE-N-LOK™	
MATERIAL	NYLON. UL94V-2	FINISH	-	SIZE	A1	RESTRICTED TO	
CUSTOMER DRAWING		SCALE	4:1	SHEET	2 OF 2	REV	AJ

NATURAL	2-480711-0
COLOR	PART NO